

Helix™ G75



Quickly deploy video over large spaces with Helix™ G75, a flexible LED video screen with the performance of a solid display. Helix G75 can bend, wrap, drape, and fold to conform to even the most challenging designs; yet it is equally functional and stunning when quickly unfolded to create a flat video screen.

Helix G75 panels can be configured as large flat screens or into unique shapes and contours. The ultra-thin grid construction gives curtain-like flexibility without the pixel alignment problems of cloth-based curtain products.

Durable and lightweight, Helix G75 screens quickly fold and unfold for rapid shipping and deployment. Multiple rigging options adapt Helix G75 for permanent or temporary installations.

BRIGHT

FLEXIBLE

LIGHTWEIGHT

TRANSPARENT

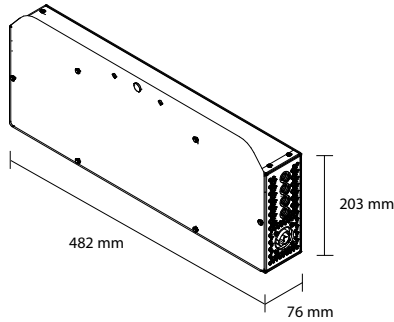
**RAPID
DEPLOYMENT**



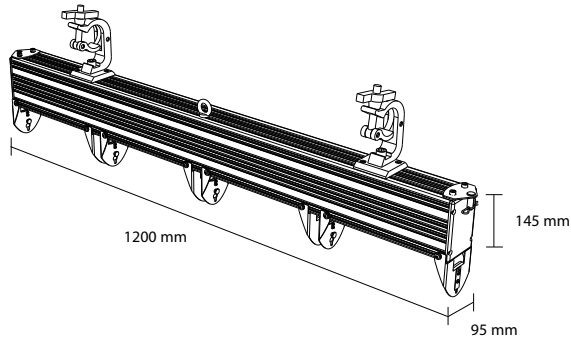
www.elementlabs.com

Helix™ G75

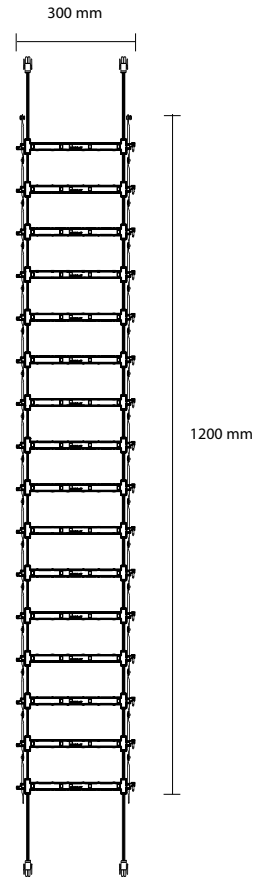
Power Supply



Header



Panel



Specifications for Complete Header System*

Resolution	75 mm pixel pitch
Colors	Trillions (48 bit color per pixel)
Transparency	76%
Viewing angle	170° x 170°
Packaging	Clear/Black
Pixels	16 x 128
Power Consumption (max)	< 700 watts
Dimensions	Width* 1200 mm (47.2 in.) Height* 9600mm (378.0 in.) Depth 13 mm (0.5 in.)
Weight	72.4 kg (159.7 lbs)

Helix G75 Panel (510-0360)

Pixels	4 x 16
Power consumption (max)	24 watts
Dimensions	Width* 300 mm (11.8 in.) Height* 1200 mm (47.2 in.) Depth 13 mm (0.5 in.)
Weight	1.8 kg (4.0 lbs.)

Power Supply Unit (450-0302)

Capacity	2,048 pixels (32 panels)
Power Input	90–132 VAC or 180–264 VAC
Dimensions	Width 482 mm (19.0 in.) Height 76 mm (3.0 in.) Depth 203 mm (8.0 in.)
Weight	3.7 kg (8.2 lbs.)

Header (510-0350)

Capacity	32 panels
Dimensions	Width 1200 mm (47.2 in.) Height 145 mm (5.7 in.) (plus hanging hardware) Depth 95 mm (3.7 in.)
Weight	11 kg (24.2 lbs.)

Accessories

Power extension cable	1 m	350-0469	1 required per header
Ethercon extension cable	.5 m	350-0207	1 required per header

*A complete Helix screen is comprised of one header, one PSU, and 32 panels. Width and Height dimensions are for panels only.

North America
+1 512 491 9111

London
+44 20 7749 0611

Germany
+49 5331 905660

www.elementlabs.com
info@elementlabs.com